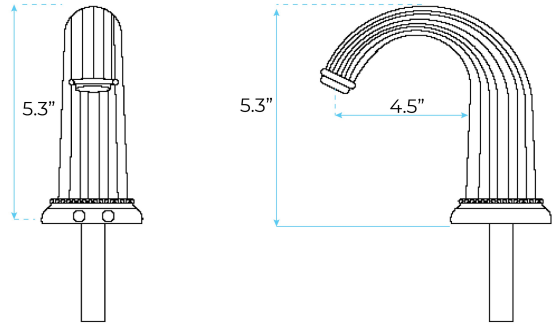


## CARPI DECK MOUNT POLISH GOLD ELECTRONIC SOAP DISPENSER SPECS



### **SPECS :**

- Product Type: Commercial
- Main Construction Material: Brass
- Mount Type: Deck
- Handle Type: Infra-Red
- Power Rating: 3 Amp Fuse, AC: 230V  
DC: 1.5V
- Soap Pump: 6 Volt Noise-Free  
PERISTALTIC Pump System
- Number of Tap Holes: 1
- Valve/Cartridge Type: Solenoid Valve
- Sensing Range: Adjustable with  
optional remote control
- Working Soap: Standard liquid Soap
- Soap Bottle Capacity: 800ML
- Viscosity of Liquid Soap: 0.5ML to  
1.5ML, adjustable
- Isolation Included: No
- Soap Amount Per Use: No

